



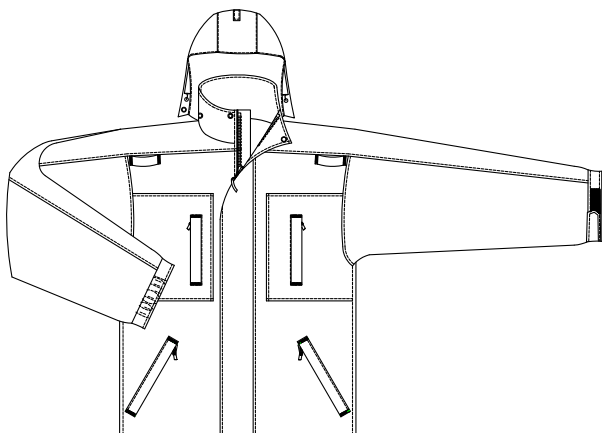
# StationWear™

## Medic 1™ EMS 3 Season Jacket

- Durable 100% nylon outer shell is water resistant while remaining breathable for optimum comfort.
- Detachable hood stores in collar compartment with easy accessibility.
- Two chest pockets with zipper closure.
- Two mic tabs located below each shoulder.
- Handwarmer pockets.
- Side zippers for ventilation and easy access to equipment belt.
- Vented back for breathability.
- Detachable fleece liner that can be worn as functional stand-alone garment.
- Functional liner features side zippers and mic tabs in same location as on outershell.



Fleece Liner



Lot #	Color	Sizes
3215-10	Navy	S-5XL

Check us out online at [www.lionprotects.com](http://www.lionprotects.com)



# LION®

7200 Poe Ave., Suite 400  
 Dayton, OH 45414  
 800.421.2926  
[www.lionprotects.com](http://www.lionprotects.com)



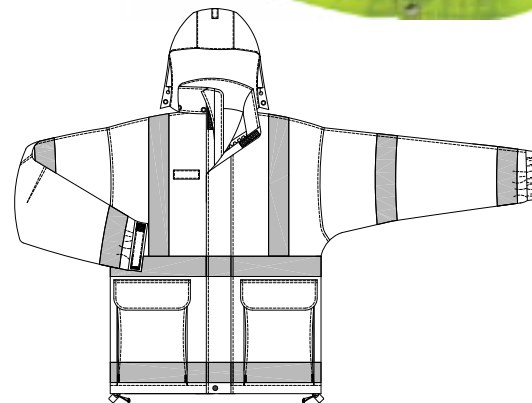
# StationWear™



# StationWear™

## Medic 1™ EMS High Visibility Parka with Blood Borne Pathogen Barrier

- Fluorescent yellow outershell and 3M™ Scotchlite™ Reflective Material deliver optimum visibility.
- Blood borne pathogen barrier taped and sealed to block liquid and blood-borne pathogens. Meets OSHA 29 CFR Part 1910.1030.
- 3M™ Scotchlite™ Reflective Material – 2” silver around wrists, upper arms, upper and lower torso and over shoulders.
- Expandable lower patch pockets with (right pocket split into 2 compartments)
- Lower hand warmer pockets
- Double jacket storm flap with water channel and dual zipper/hook and loop closure
- Internal draw cord at waist and external draw cord at hips
- Mic tab on right chest
- Shaped elbow for maximum freedom of movement and elasticized cuff with hook and loop adjustment.
- Detachable snap on hood included
- Collar can be extended or folded down.
- Bartack reinforced at all stress points.
- Optional quilted winter liner
- Optional lettering, customization and 3” or 7” Star of Life for identification
- Optional lettering, customization and 3” or 7” Star of Life for identification.



Lot #	Color	Sizes
EMSPKHV-00	Yellow	S-6XL
EMSLNR2-10	Black	XS-6XL

Check us out online at [www.lionprotects.com](http://www.lionprotects.com)



StationWear™



**LION**®

7200 Poe Ave., Suite 400  
Dayton, OH 45414  
800.421.2926  
[www.lionprotects.com](http://www.lionprotects.com)

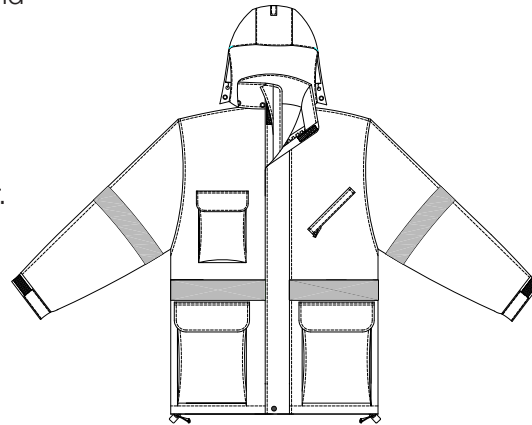


# StationWear™

## Medic 1™ EMS Parka

### with Blood Borne Pathogen Barrier

- 100% ripstop nylon outershell is abrasion and wind resistant.
- Blood borne pathogen barrier taped and sealed to block liquid and blood-borne pathogens. Meets OSHA 29 CFR Part 1910.1030.
- 3M™ Scotchlite™ Reflective Material for increased visibility.
- Interior radio pocket on left chest with zipper closure.
- Expandable patch pocket on right chest.
- Lower expandable patch pockets with handwarmer openings
- Collar can be extended or folded down.
- Shaped elbow for maximum freedom of movement and elasticized cuff with hook and loop adjustment
- Double jacket storm flap with water channel and dual zipper/hook and loop closure
- Internal draw cord at waist and external draw cord at hips
- Bartack reinforced at all stress points.
- Optional snap-on hood and quilted winter liner.



Lot #	Color	Sizes
EMSPRKA2-10	Blue	XS-6XL
EMSHOOD-10	Blue	XS-6XL
EMSLINR2-10	Black	XS-6XL



# LION®

7200 Poe Ave., Suite 300  
Dayton, OH 45414  
800.421.2926  
[www.lionprotects.com](http://www.lionprotects.com)

Check us out online at [www.lionprotects.com](http://www.lionprotects.com)

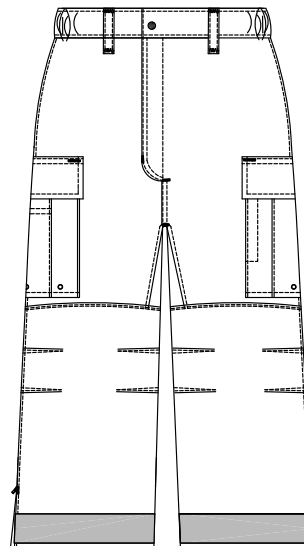


# StationWear™

## Medic 1™ EMS Outer Pants

with Blood Borne Pathogen Barrier

- 100% ripstop nylon outershell is abrasion and wind resistant.
- Blood borne pathogen barrier taped and sealed to block liquid and blood-borne pathogens. Meets OSHA 29 CFR Part 1910.1030.
- 3M™ Scotchlite™ Reflective Material for increased visibility.
- Hook and loop fly with snap and a slide-release web belt for fast donning and doffing.
- Expandable pocket with hook & loop flap closure on each leg.
- Outer utility pocket with snap closure on right leg.
- Rear right patch pocket with zipper closure.
- Shaped knee for maximum freedom of movement.
- 12" Zipper on each leg for fast donning & doffing.
- Bartack reinforced at all stress points.



Lot #	Color	Sizes
EMSPZ-10	Blue	XS-6XL

Check us out online at [www.lionprotects.com](http://www.lionprotects.com)



# LION®

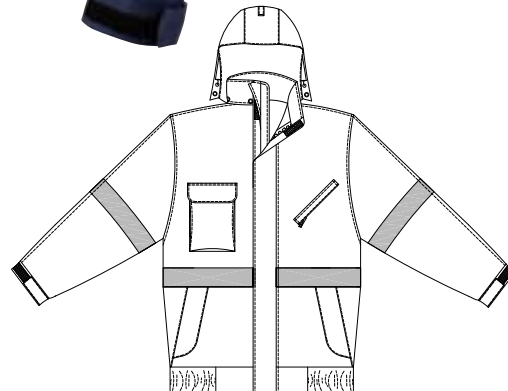
7200 Poe Ave., Suite 400  
Dayton, OH 45414  
800.421.2926  
[www.lionprotects.com](http://www.lionprotects.com)



# StationWear™

## Medic 1™ EMS Bomber Jacket with Blood Borne Pathogen Barrier

- 100% ripstop nylon outershell is abrasion and wind resistant.
- Blood borne pathogen barrier taped and sealed to block liquid and blood-borne pathogens. Meets OSHA 29 CFR Part 1910.1030.
- 3M™ Scotchlite™ Reflective Material for increased visibility.
- Interior radio pocket on left chest with zipper closure.
- Expandable patch pocket on right chest.
- Lined lower pockets with snap flap over zipper closure.
- Double jacket storm flap with water channel and dual zipper/hook and loop closure.
- Shirred elasticized waist with internal draw cord.
- Shaped elbow for maximum freedom of movement and elasticized cuff with hook and loop adjustment.
- Collar can be extended or folded down.
- Bartack reinforced at all stress points.
- Optional snap-on hood and quilted winter liner.
- Optional lettering, customization and 3" or 7" Star of Life for identification.



Lot #	Color	Sizes
EMSCOAT2-10	Blue	XS-6XL
EMSHOOD-10	Blue	XS-6XL
EMSLINR2-10	Black	XS-6XL

Check us out online at [www.lionprotects.com](http://www.lionprotects.com)



# StationWear™

## Fire Station Jacket

- Rugged and durable 100% ripstop nylon outer shell.
- Lining entirely seam-sealed for waterproofness.
- 100% nylon taffeta lining with polyurethane waterproof/breathable coating.
- Elastic at sleeve cuff and waistband keeps wind and cold out.
- Reflective piping across the front chest and the back of sleeve delivers excellent visibility.
- “Slash-style” handwarmer pockets reinforced with bartacks for durability.
- Accepts optional quilted liner or fleece zip-off sleeve liner.
- Optional snap-on hood.



Lot #	Color	Sizes
3206	Navy	XS-5XL

Check us out online at [www.lionprotects.com](http://www.lionprotects.com)



# LION®

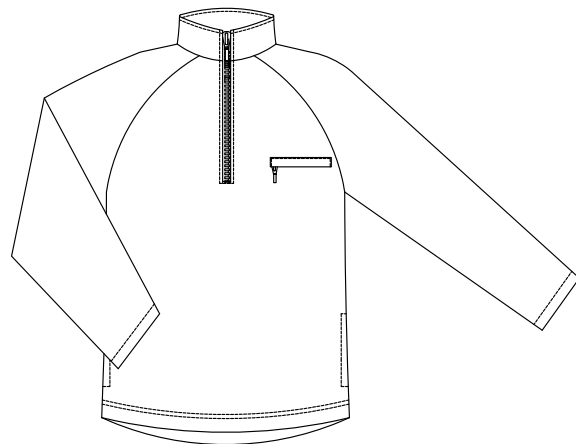
7200 Poe Ave., Suite 400  
Dayton, OH 45414  
800.421.2926  
[www.lionprotects.com](http://www.lionprotects.com)



# StationWear™

## Medic 1™ EMS Half-Zip Micro Fleece Pullover

- Polartec® micro fleece provides lightweight warmth for optimum comfort, even when wet.
- Durable Water Repellent (DWR) finish stops moisture absorption, but allows garment to breathe.
- ½ zip opening makes donning and doffing easy.
- Zip-through collar keeps wind out.
- Convenient handwarmer pockets.
- Chest pocket with zipper closure.
- D-ring for key attachment.
- Easy care, machine wash and dry.



Lot #	Color	Sizes
LMF01-00	Navy	S-3XL

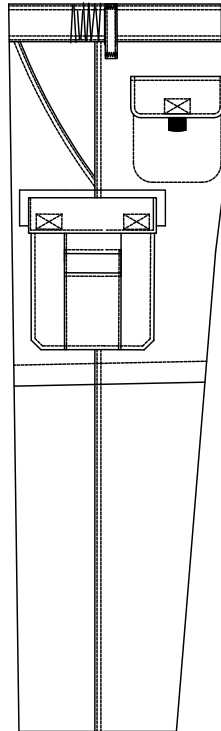
Check us out online at [www.lionprotects.com](http://www.lionprotects.com)



# StationWear™

## Utility Pants

- 100% cotton, 7.67 oz/yd<sup>2</sup>, delivers optimum comfort.
- Robust woven ripstop fabric for maximum durability.
- Teflon® stain release finish ensure long-lasting good looks.
- Easy care, just machine wash and dry.\*
- Lower legs have hidden zippers for fast, easy conversion to shorts.
- Roomy cargo pockets on each thigh.
- Welt rear pockets for finished look.
- Perfect for station or medic duty.



Lot #	Color	Sizes
LMPT01-00	Navy	28-38 40-54 (even) 34T-38T 40T-42T

Check us out online at [www.lionprotects.com](http://www.lionprotects.com)



# LION®

7200 Poe Ave., Suite 400  
Dayton, OH 45414  
800.421.2926  
[www.lionprotects.com](http://www.lionprotects.com)



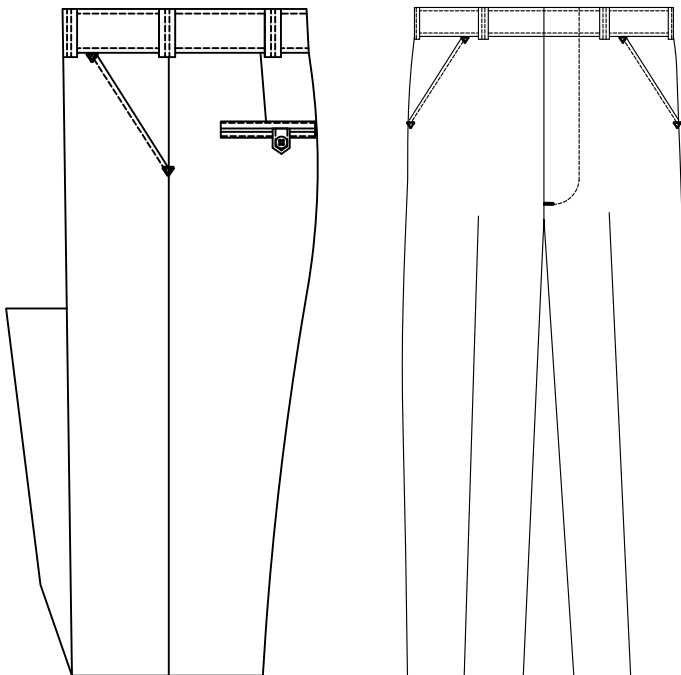
# StationWear™



# StationWear™

## Duty Pants

- Available in 7.5 oz/yd<sup>2</sup> poly/cotton twill with wrinkle resistant and stain release finish (navy).
- Traditional-style 1/8 top pockets.
- Two welt-style hip pockets, button closure on left.
- No-roll waistband with shirt grip keeps shirt tucked in.
- Steel hook and bar waist closure.
- Heavy-duty ratcheting brass zipper.
- Bartack reinforced throughout.



Lot #	Color	Sizes
2245	Navy	28-38 40-52 (even)

Check us out online at [www.lionprotects.com](http://www.lionprotects.com)



# LION®

7200 Poe Ave., Suite 400  
Dayton, OH 45414  
800.421.2926  
[www.lionprotects.com](http://www.lionprotects.com)



# StationWear™